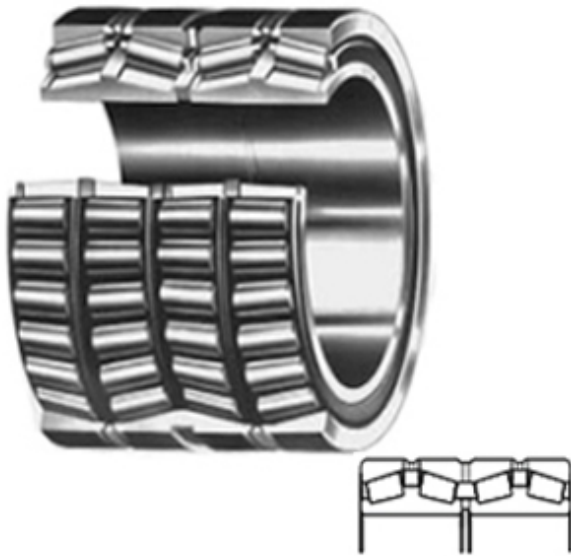




# TIMKEN AXLE CORP.

## TIMKEN LM451349DGA-902F2 Tapered Roller Bearing Assemblies



Bearing No. LM451349DGA-902F2

LM451349DGA-902F2 Bearing 2D drawings and 3D CAD models

Category	Tapered Roller Bearing Assemblies
Inventory	0.0
Manufacturer Name	TIMKEN
Minimum Buy Quantity	N/A
Weight	61.52
EAN	0053893941691
Product Group	B04336
Precision Class	Standard
Component	Assembly
Basic Number	LM451349
Assembly Number	902F2
Assembly Components	LM451349DGA (2)   LM451310 (4)   LM451310EA (2)   LM451310EX (1)
End Play	0.012
Number of Tapered Rows	Quadruple Row
Inch - Metric	Inch
Other Features	2 Double Cone   4 Single Cup   Light Medium Duty   With Pressure Removal Groove or Helical Groove in Bore
Long Description	Assembly; Standard Precision; Components LM451349DGA (2)   LM451310 (4)   LM451310EA (2)



## TIMKEN AXLE CORP.

	LM451310EX (1); 11/2" Bore; 14" Outside Diameter; 8-1/2" Assembly Width; 0.012" End Play;
Category	Tapered Roller Bearings Assembly
UNSPSC	31171516
Harmonized Tariff Code	8482.20.00.00
Noun	Bearing
Keyword String	Tapered
Manufacturer URL	<a href="http://www.timken.com">http://www.timken.com</a>
Manufacturer Item Number	LM451349DGA-902F2
Weight / LBS	135.495
Assembly Width	8.5 Inch   215.9 Millimeter
D	14 Inch   355.6 Millimeter
Flange Outside Diameter	0 Inch   0 Millimeter
d	10.5 Inch   266.7 Millimeter