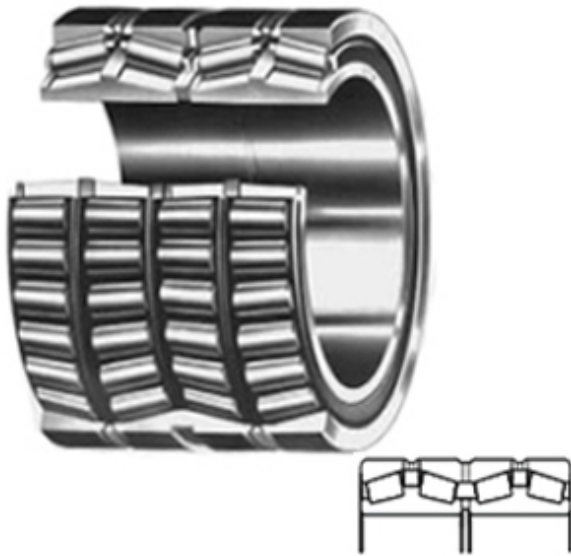




TIMKEN AXLE CORP.

TIMKEN LM451349DGA-902E1 Tapered Roller Bearing Assemblies



Bearing No. LM451349DGA-902E1

LM451349DGA-902E1 Bearing 2D drawings and 3D CAD models

Category	Tapered Roller Bearing Assemblies
Inventory	0.0
Manufacturer Name	TIMKEN
Minimum Buy Quantity	N/A
Weight	61.52
EAN	0053893859828
Product Group	B04336
Precision Class	Standard
Component	Assembly
Basic Number	LM451349
Assembly Number	902E1
Assembly Components	LM451349DGA (2) LM451310 (4) LM451310EA (2) LM451310EX (1)
End Play	0.012
Number of Tapered Rows	Quadruple Row
Inch - Metric	Inch
Other Features	2 Double Cone 4 Single Cup Light Medium Duty With Pressure Removal Groove or Helical Groove in Bore
Long Description	Assembly; Standard Precision; Components LM451349DGA (2) LM451310 (4) LM451310EA (2)



TIMKEN AXLE CORP.

	LM451310EX (1); 11/2" Bore; 14" Outside Diameter; 8-1/2" Assembly Width; 0.012" End Play;
Category	Tapered Roller Bearings Assembly
UNSPSC	31171516
Harmonized Tariff Code	8482.20.00.00
Noun	Bearing
Keyword String	Tapered
Manufacturer URL	http://www.timken.com
Manufacturer Item Number	LM451349DGA-902E1
Weight / LBS	135.495
Flange Outside Diameter	0 Inch 0 Millimeter
D	14 Inch 355.6 Millimeter
d	10.5 Inch 266.7 Millimeter
Assembly Width	8.5 Inch 215.9 Millimeter