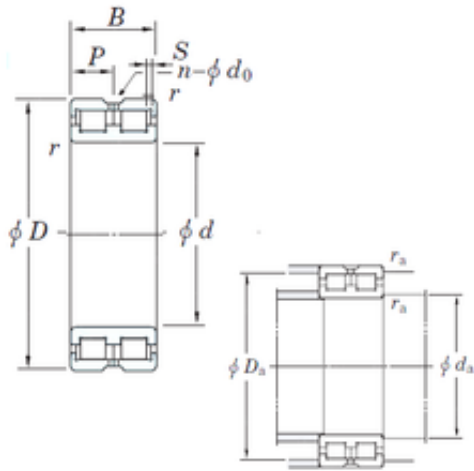




# TIMKEN AXLE CORP.



## DC4856VW KOYO Full complement cylindrical roller bearings

Bearing No. DC4856VW

DC4856VW Bearing 2D drawings and 3D CAD models

Size	280x350x69 mm
Bore Diameter	280 mm
Outer Diameter	350 mm
Width	69 mm
d	280 mm
D	350 mm
B	69 mm
C	69 mm
n	6 mm
p	34,5 mm
r min.	2 mm
S	4 mm
da min.	290 mm
Da max.	340 mm
ra max.	2 mm
Weight	16 Kg
Basic dynamic load rating (C)	663 kN
Bearing No.	DC4856VW
r(min)	2
Cr	663
C0r	1720
S	4 mm
P	34.5
n(qty)	6
do	5



## TIMKEN AXLE CORP.

da(min)	290
Da(max)	340
ra(max)	2
(Refer.)Mass(Fixed side)(kg)	15.6