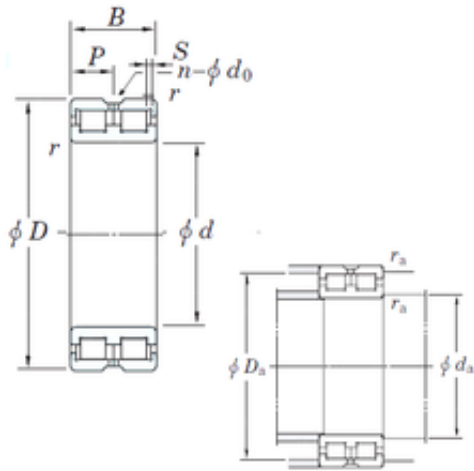




# TIMKEN AXLE CORP.



## DC4980VW KOYO Full complement cylindrical roller bearings

Bearing No. DC4980VW

DC4980VW Bearing 2D drawings and 3D CAD models

Size	400x540x140 mm
Bore Diameter	400 mm
Outer Diameter	540 mm
Width	140 mm
d	400 mm
D	540 mm
B	140 mm
C	140 mm
n	8 mm
p	70 mm
r min.	4 mm
S	7 mm
da min.	418 mm
Da max.	522 mm
ra max.	3 mm
Weight	96,4 Kg
Basic dynamic load rating (C)	2 380 kN
Bearing No.	DC4980VW
r(min)	4
Cr	2380
C0r	5990
S	7 mm
P	70
n(qty)	8
do	8



## TIMKEN AXLE CORP.

da(min)	418
Da(max)	522
ra(max)	3
(Refer.)Mass(Fixed side)(kg)	94.6